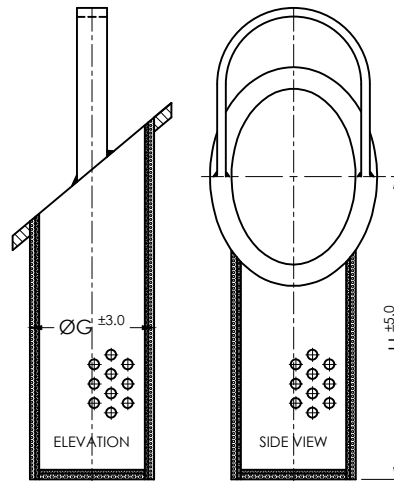
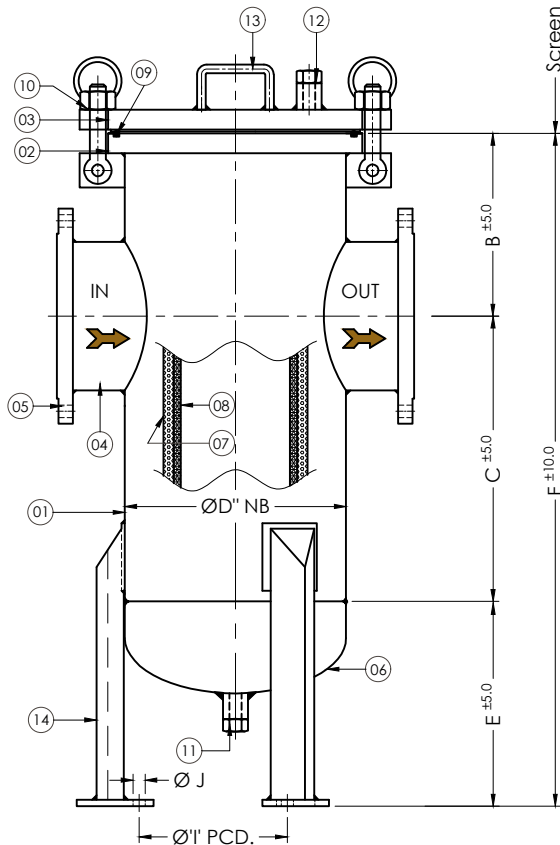


FOUNDATION DETAILS



ELEMENT DETAIL

MATERIAL OF CONSTRUCTION

SR. NO.	DISCRIPTION	CARBON STEEL	STAINLESS STEEL		QTY.
1	SHELL	MS	SS 304	SS 316	1
2	SHELL FLANGE	MS	SS 304	SS 316	1
3	COVER FLANGE	MS	SS 304	SS 316	1
4	IN-OUT NOZZLE	MS	SS 304	SS 316	2
5	NOZZLE FLANGE	MS	SS 304	SS 316	2
6	DISHEND	MS	SS 304	SS 316	1
7	P.SHEET	SS 304 (Ø6mm Holes)	SS 304	SS 316	1
8	WIRE MESH	SS 304	SS 304	SS 316	1
9	'O'RING	NEOPRENE			1
10	EYE BOLT	IS 1367	IS 1367 (ZINC PLATED)		--
11	DRAIN WITH PLUG	ASTM A 105	SS 304	SS 316	1
12	VENT WITH PLUG	ASTM A 105	SS 304	SS 316	1
13	HANDLE	MS	SS 304	SS 316	2
14	LEG	MS	SS 304	SS 316	--

SIZE	DIMENSION							ELEMENT	PCD HOLES	NO OF LEG	SCREEN REMOVAL APPROX		
	INCH	MM	A	B	C	ØD	E					F	ØG
1"	25	300	125	140	4"	-	-	65	150	-	-	-	280
1-1/2"	40	325	150	205	6"	-	-	105	230	-	-	-	400
2"	50	325	150	205	6"	-	-	105	230	-	-	-	400
2-1/2"	65	350	150	205	6"	-	-	105	230	-	-	-	400
3"	80	350	160	220	6"	-	-	105	240	-	-	-	420
4"	100	400	175	275	8"	-	-	150	290	-	-	-	485
5"	125	485	215	285	10"	350	850	205	300	240	18	3	535
6"	150	500	225	300	10"	350	875	205	325	240	18	3	570
8"	200	550	305	410	12"	360	1075	240	450	270	20	3	775
10"	250	670	350	500	14"	385	1235	275	525	285	20	3	840
12"	300	825	325	565	18"	475	1365	390	600	400	22	3	945
14"	350	875	350	710	20"	525	1585	430	750	455	22	3	1120
16"	400	1000	400	870	24"	525	1795	520	880	555	25	4	1320
18"	450	1076	425	920	24"	600	1945	480	975	555	25	4	1420
20"	500	1075	507	1200	24"	645	2352	480	1250	555	25	4	1777
24"	600	1410	550	1215	30"	650	2415	660	1250	710	25	4	1820

NOTE :-1. ALL DIMENSIONS ARE IN mm. IF NOT SPECIFIED.

2. HYDRO TEST PRESSURE 15 kg/cm²

3. END CONNECTION AS PER ANSI B 16.5, 150# RF

4. FILTRATION AREA (P.SHEET) 5 TIMES PIPE INLET AREA.

5. DAVIT SUPPORT FOR COVER IS PROVIDED FOR 16" & ABOVE STRAINER

6. LEG SUPPORT IS PROVIDED FOR 5" & ABOVE STRAINER

CLIENT :-

PO. No:-

SCALE :- NTS

SHEET :-

DRG NO.

REV.

FILE :- 01

DATE:- 28/03/2026

AFS-2502-150#-QO- STD 00

TITLE :- SIMPLEX BASKET FILTER ANSI 150#

PROJECTION :-



PLOT NO-152/2
ROAD-5,
G.I.D.C.KATHWADA,
AHMEDABAD.

	NAME	DATE
ACAD BY	GPP	28/03/2026
CHD BY	GPP	28/03/2026
APPD BY	APT	28/03/2026