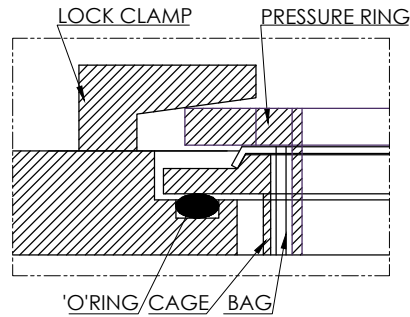
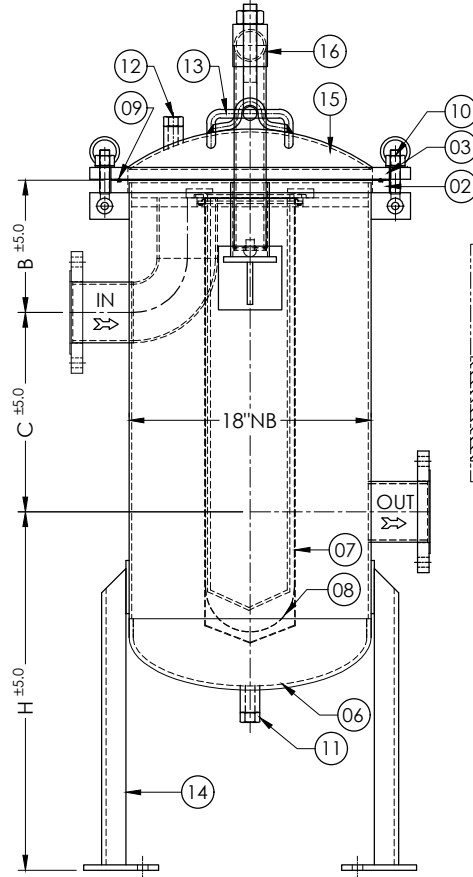
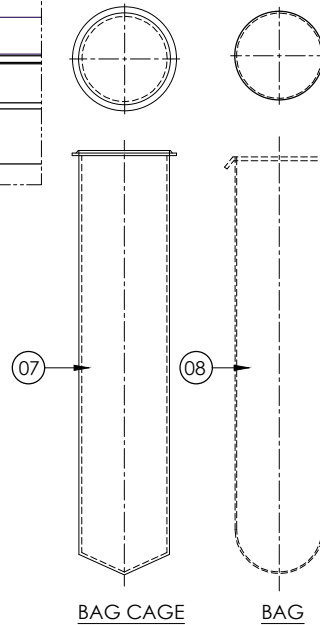


FOUNDATION DETAILS.



BAG LOCK CLAMP



MATERIAL OF CONSTRUCTION

SR. NO.	DISCRIPTION	CARBON STEEL		STAINLESS STEEL		QTY.
1	SHELL	MS		SS 304	SS 316	1
2	SHELL FLANGE	MS		SS 304	SS 316	1
3	COVER FLANGE	MS		SS 304	SS 316	1
4	IN-OUT NOZZLE	MS		SS 304	SS 316	2
5	NOZZLE FLANGE	MS		SS 304	SS 316	2
6	DISHEND	MS		SS 304	SS 316	1
7	BAG CAGE	SS304(Ø6mm Hole)		SS 304	SS 316	2
8	BAG	PP		(Ø7" x 32"LONG )		2
9	'O' RING	EPDM				1
10	EYE BOLT & NUT	IS 1367				8
11	DRAIN	ASTM A 105		SS 304	SS 316	1
12	VENT	ASTM A 105		SS 304	SS 316	1
13	HANDLE	MS		SS 304	SS 316	2
14	LEG	MS		SS 304	SS 316	3
15	CROWN	MS		SS 304	SS 316	1
16	DAVIT ARM	MS		SS 304	SS 316	1

SIZE		DIMENSION			
INCH	MM	A	B	C	H
1-1/2"	40	620	165	500	650
2"	50	630	200	500	625
2-1/2"	65	640	225	500	600
3"	80	650	225	500	595
4"	100	680	225	450	645

NOTE :-

1. ALL DIMENSIONS ARE IN mm. IF NOT SPECIFIED.
2. END CONNECTION AS PER ANSI B 16.5, 150# RF

CLIENT :-		QTY:-	
P.O. No:-		W.O.NO.:-	
SCALE :-	SHEET :-	DRAWING No.	REV.
FILE :-	DATE :- 27/03/2026	AFS-2503-150#-2BAG	00
TITLE :- BAG TYPE FILTER ASME 150# FOR 2 BAG		PROJECTION :-	
 PLOT NO-152/2 ROAD-5, G.I.D.C.KATHWADA, AHMEDABAD. www.strainersindia.com		NAME	DATE
		ACAD BY	GPP 27/03/026
		CHED BY	GPP 27/03/026
		APPD BY	APT 27/03/026