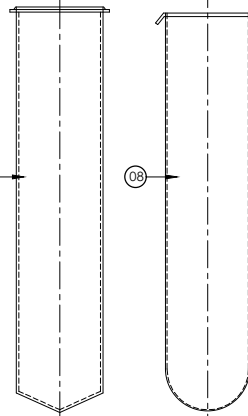
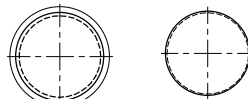
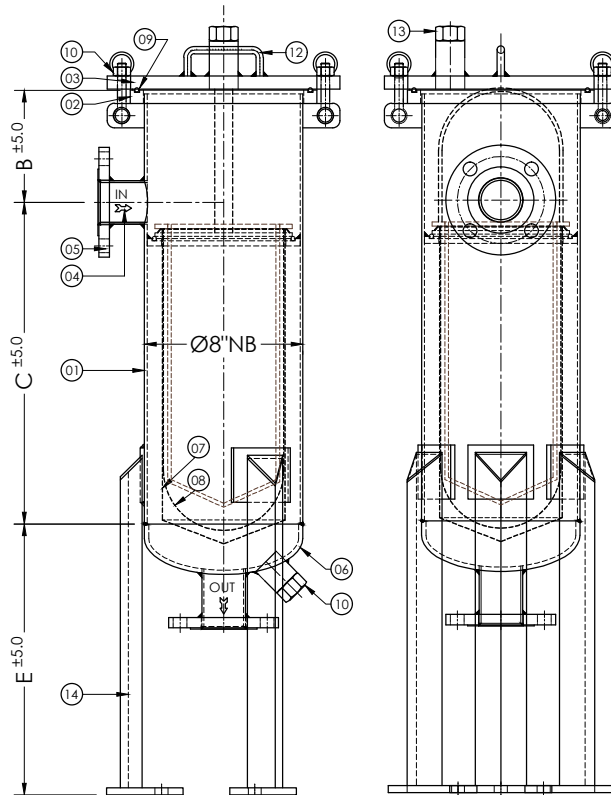


BAG CAGE



BAG CAGE

BAG



MATERIAL OF CONSTRUCTION

SR. NO.	DISCRIPTION	CARBON STEEL	STAINLESS STEEL	QTY.
1	SHELL	MS	SS 304 SS 316	1
2	SHELL FLANGE	MS	SS 304 SS 316	1
3	COVER FLANGE	MS	SS 304 SS 316	1
4	IN-OUT NOZZLE	MS	SS 304 SS 316	2
5	NOZZLE FLANGE	MS	SS 304 SS 316	2
6	DISHEND	MS	SS 304 SS 316	1
7	BAG CAGE	SS304($\text{Ø}6\text{HOLE}$)	SS 304 SS 316	1
8	BAG	PP	($\text{Ø}7''$ X $17''$ LONG)	1
9	'O' RING	EPDM		1
10	EYE BOLT & NUT	IS 1367		4
11	DRAIN	ASTM A 105	SS 304 SS 316	1
12	VENT	ASTM A 105	SS 304 SS 316	1
13	HANDLE	MS	SS 304 SS 316	1
14	LEG	MS	SS 304 SS 316	3

SIZE		DIMENSION			
INCH	NB	A	B	C	ØE
1"	25	160	155	500	375
1-1/2"	40	175	180	500	375
2"	50	175	180	500	375
2-1/2"	65	200	180	500	375
3"	80	200	180	500	400

NOTE :-

- ALL DIMENSIONS ARE IN mm. IF NOT SPECIFIED.
- END CONNECTION AS PER ANSI B 16.5, 150# RF

CLIENT :-		QTY:-								
P.O. No:-		W.O.NO.:-								
SCALE :-	SHEET :-	DRAWING No.	REV.							
FILE :-	DATE :- 27/03/2026	AFS-2503-150#1BAG	00							
TITLE :- 1BAG ANSI 150# BAG TYPE FILTER FOR ($\text{Ø}7''$ X $17''$ LONG)		PROJECTION :-								
 ACME FLUID SYSTEMS www.strainersindia.com	PLOT NO-152/2 ROAD-5,G.I.D.C. KATHWADA, AHMEDABAD.	<table border="1"> <thead> <tr> <th>NAME</th> <th>DATE</th> </tr> </thead> <tbody> <tr> <td>ACAD BY GPP</td> <td>27/03/026</td> </tr> <tr> <td>CHED BY GPP</td> <td>27/03/026</td> </tr> <tr> <td>APPD BY APT</td> <td>27/03/026</td> </tr> </tbody> </table>	NAME	DATE	ACAD BY GPP	27/03/026	CHED BY GPP	27/03/026	APPD BY APT	27/03/026
	NAME	DATE								
	ACAD BY GPP	27/03/026								
CHED BY GPP	27/03/026									
APPD BY APT	27/03/026									